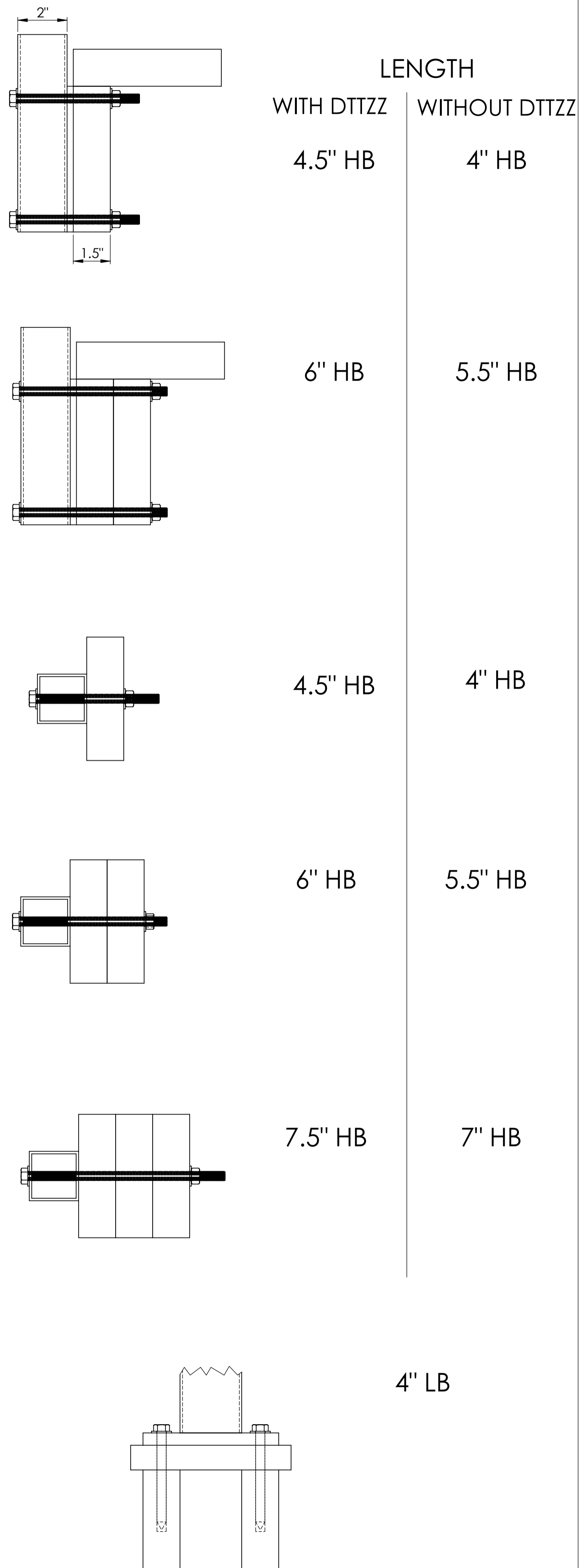
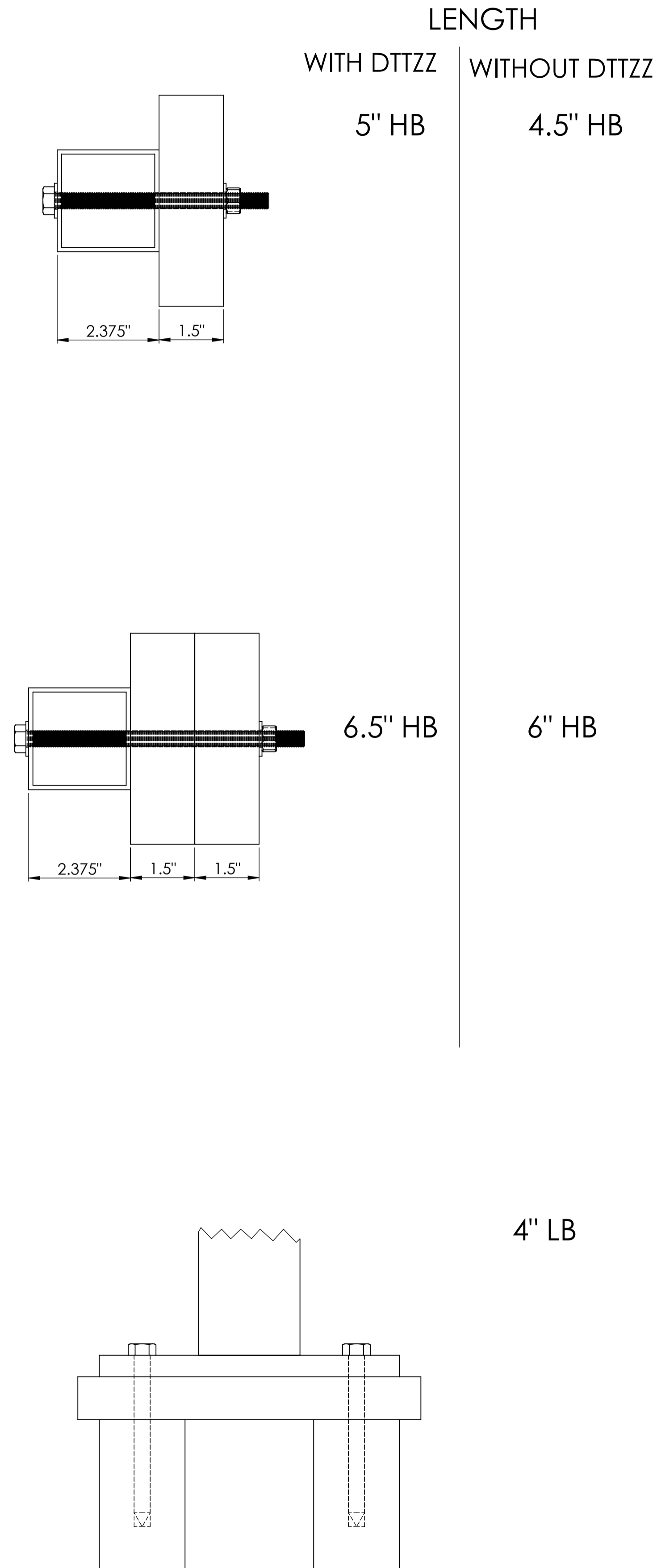


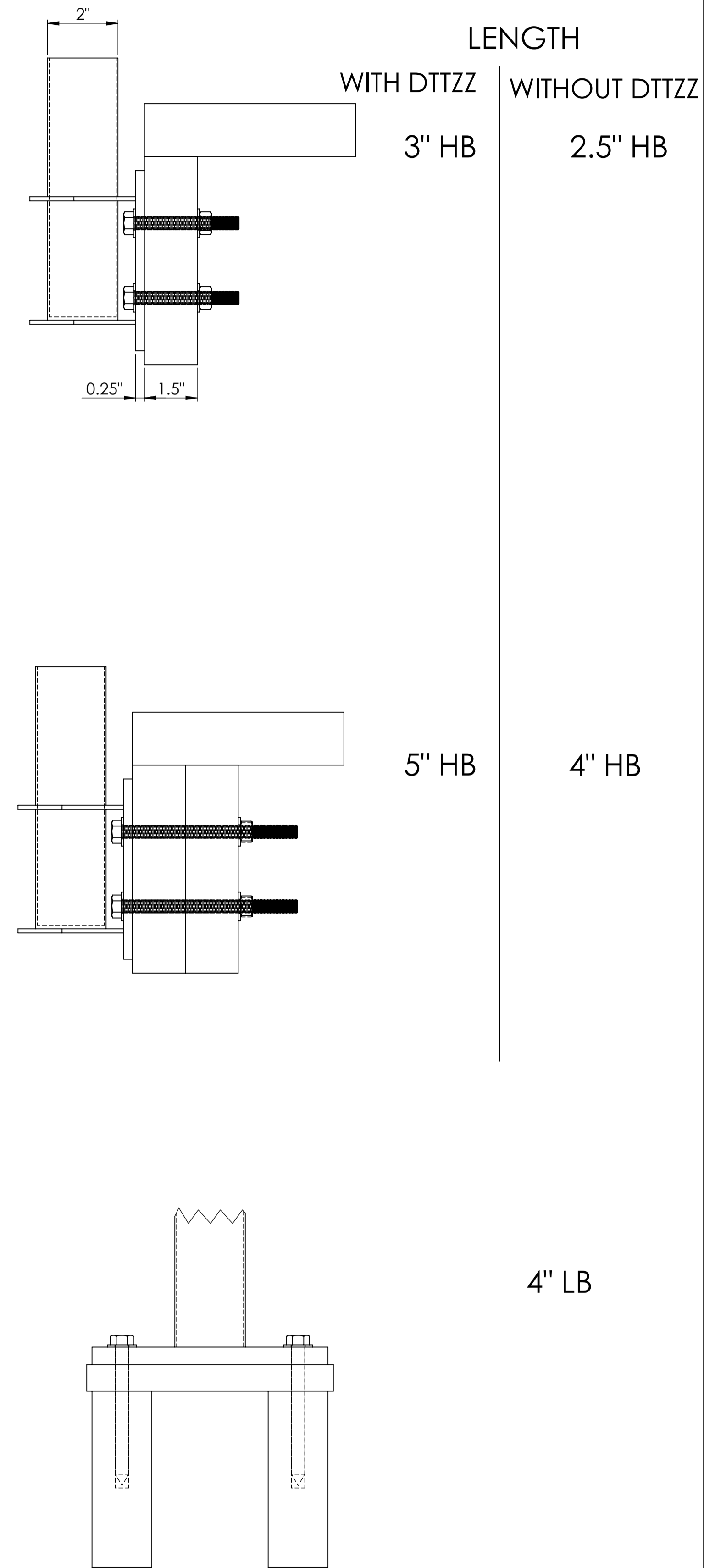
CABLEVIEW® STAINLESS SQUARE



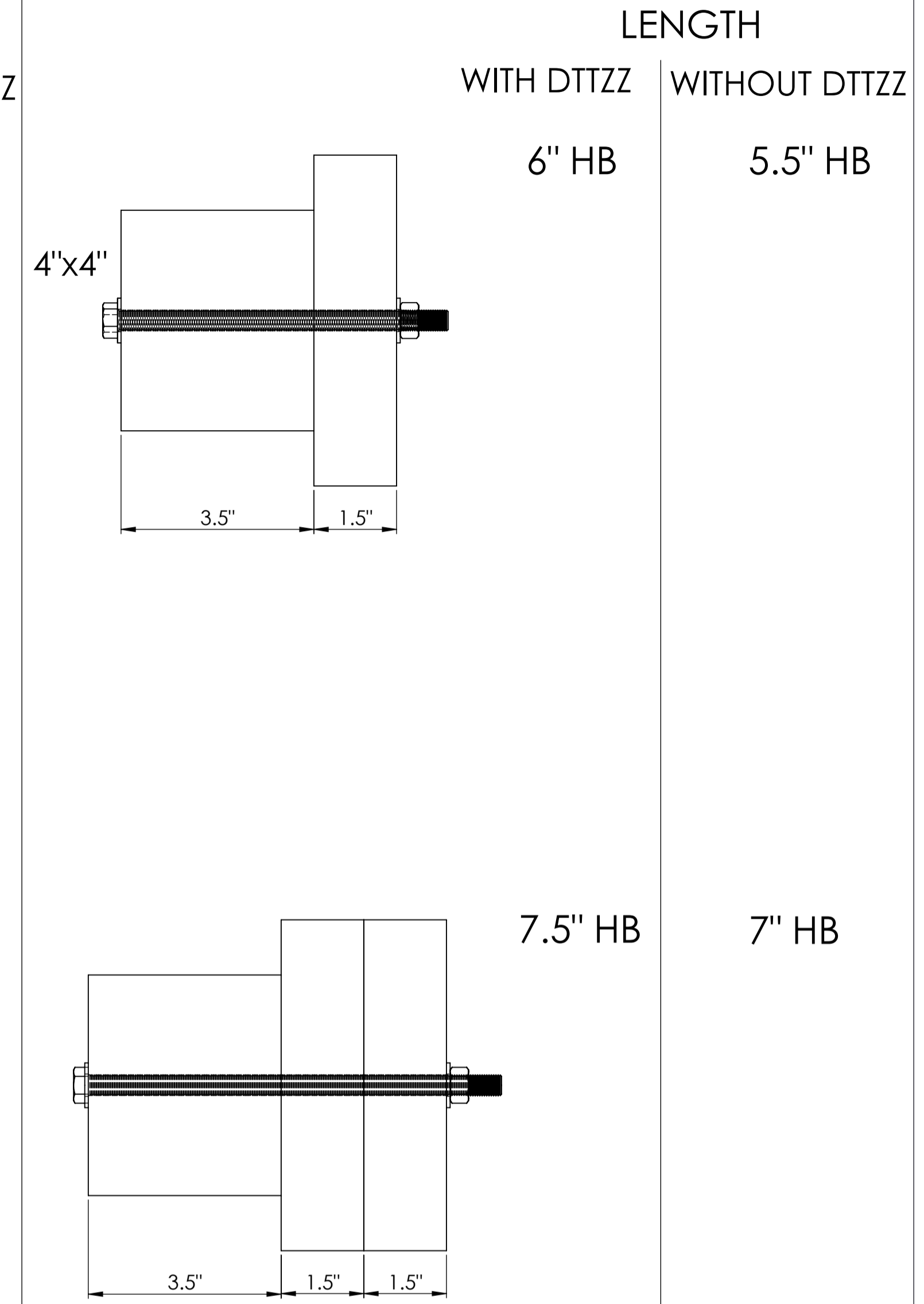
CABLEVIEW® ALUMINIUM



CABLEVIEW® STAINLESS ROUND



CABLEVIEW® WOOD



HB= HEX BOLT  
LB = LAG BOLT

REV	DATE	DESCRIPTION OF CHANGE	ECN	BY.	APPR
<b>REVISIONS</b>					
		TOLERANCES .XX ±.01 UNLESS .XXX ±.005 OTHERWISE ANGULAR ±0.5° SPECIFIED FRACTIONAL ±1/32	THIS DRAWING IS THE PROPERTY OF STAINLESS CABLE & RAILING AND IS PROTECTED UNDER COPYRIGHT LAW AS AN UNPUBLISHED WORK. IT MAY NOT BE PUBLISHED, COPIED, OR REPRODUCED WITHOUT EXPRESS WRITTEN PERMISSION FROM SC&R		TITLE :
		3/8" ATTACHMENT HARDWARE			
DRAWN BY.	DATE	PROJECT	**	DRG NO. AH	SHEET 1 OF 1